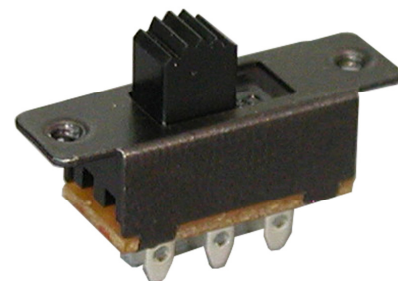


SPECIFICATIONS

Switch Function	DPDT
Electrical Ratings	200mA @ 30VDC
Electrical Life	10,000 cycles typical
Contact Resistance	< 50 mΩ initial
Actuation Force	250 +/- 100gF
Actuator Travel	3.0 mm total
Dielectric Strength	1000Vrms min
Insulation Resistance	> 100MΩ min
Operating Temperature	-40°C to 85°C
Storage Temperature	-40°C to 85°C



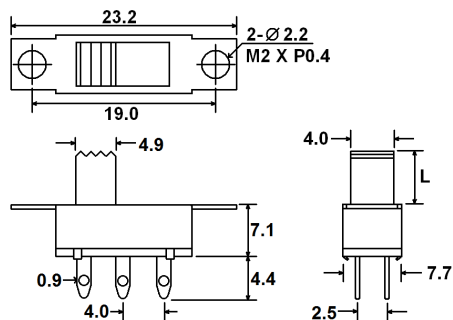
MATERIALS ←RoHS COMPLIANT

Actuator	Acetal
Housing	Steel
Base	Phenolic
Contacts	Phosphor Bronze, Silver Plated
Terminals	Brass, Silver Plated

ORDERING INFORMATION

1. Series:	MS2202	L7.5	A
MS2202			
2. Actuator Length:			
L5 = 5mm			
L7.5 = 7.5mm			
L9 = 9mm			
3. Mounting Holes:			
A = Threaded – M2 X P0.4			
B = Non-threaded – 2.2 dia			

DIMENSIONS



SCHEMATIC & PC LAYOUT

